

HARBOUR SERIES DOOR STYLES

** EXPRESSION SERIES DOOR STYLES

Belleair **

Full overlay MDF door with 2-1/4" stiles and rails, and a 3/4" step. The center panel is MDF.



Belleair White

** Expression Series Colors available in Belleair & Desoto**

Desoto **

Full overlay MDF or Birch door with 2-7/8" stiles and rails. The reversed raised center panel is MDF.

*Desoto Espresso is solid wood with MDF center panel



Desoto Espresso



Desoto Grey



Desoto White

Havana

Full overlay birch applied moulding door with 2-1/4" stiles and rails. The raised center panel is solid wood.



Havana Cafe

Pasadena

Full overlay MDF applied moulding door with 2-5/8" stiles and rails. The applied moulding is solid wood.



Pasadena Linen

STANDARD PRODUCT

MATERIALS AND CONSTRUCTION

Case

- Traditional face frame construction using select hardwood.
- Face frames are solid 3/4" thick with 1-1/2" stiles and rails. Mortise and tenon joints.
- Sides are birch veneered 1/2" plywood. The interior features a clear-coat finish.
- Shelves are 5/8" thick birch veneered plywood sealed with a clear-coat, adjustable and front edge banded.
- Backs are solid 1/2" plywood. Base cabinet backs extend to the floor, providing optimal structural stability.

Drawers

- 5/8" thick solid hard wood, dovetailed joints and clear-coated.
- Bottoms are 3/8" birch plywood fully captured.
- Slides are under mounted full-extension soft close.
- Drawer fronts are full overlay 5 piece construction.

Hinges

- Hinges are 6-way adjustable. Soft closing hinges standard on select styles.

Doors

- Mortise and Tenon full overlay.

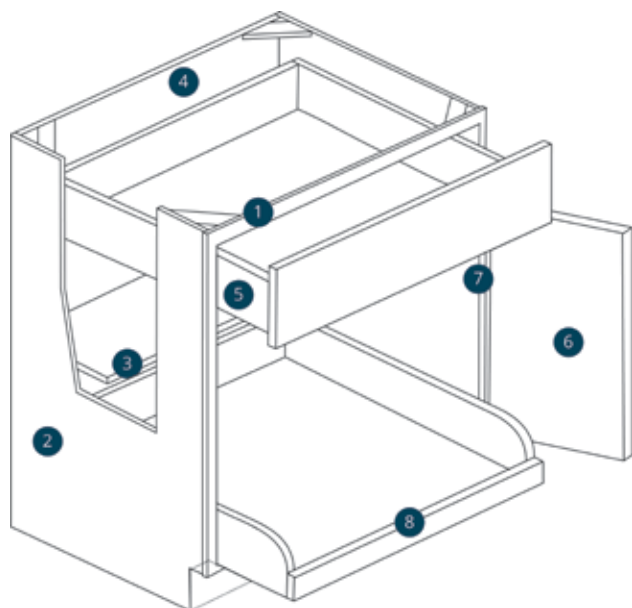
Reveals

- Wall cabinet doors have a 1/4" reveal on the bottom and sides. The top reveal is 1" for moulding installation.
- Base cabinet doors have a 1/4" reveal. The top drawer head has a 1/4" reveal at the bottom and sides and a 1" reveal on top.

Finish

- Catalyzed conversion varnish top coat with UV protection is applied to doors, drawers and face frames.
- Glazing is applied to select doors and drawer fronts.
-

PRODUCT SPECIFICATIONS/NOTES



- 1 Traditional face frame construction using select hardwood. Face frames are solid 3/4" thick with 1-1/2" stiles and rails. Mortise and tenon joints.
- 2 Sides are birch veneered 1/2" plywood. The interior features a clear coat finish.

*Color matched finished interiors are available in painted finishes for an additional charge.
- 3 Shelves are 5/8" thick birch veneered plywood sealed with a clear-coat finish, adjustable and front edge banded.
- 4 Backs are solid 1/2" thick plywood.
- 5 Drawers are 5/8" thick solid hard wood, dovetail joints and clear coated. Bottoms are 3/8" plywood fully captured. Slides are under mounted, full extension and soft closing.

- 6 Doors are full overlay. Butt doors on all sizes up to 39" wide.
- 7 Hinges are 6-way adjustable. Soft closing hinges are standard on select styles.
- 8 Optional roll trays (ROT) are available for certain base and pantry cabinets as an upgrade. The optional roll trays are adjustable, all wood, two point dovetail and soft closing.

DOOR REVEALS

Door reveals are 1" at the top of all cabinets and 1/4" on remaining sides. The 1" reveal at the top of wall cabinets allow for moulding application.

DOOR CLEARANCE

Door and drawer clearance must be taken into consideration during the design process to assure proper operation of all doors, drawers and roll trays.

VANITY CABINETS

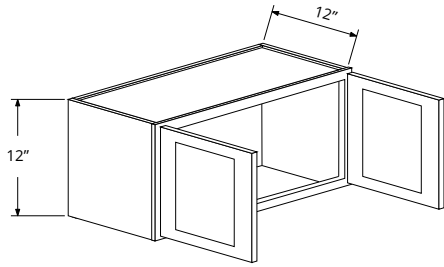
All vanity cabinets are 34 1/2" tall and 21" deep.

TOE KICK MATERIAL

All base, vanity and tall cabinets require toe kick material. This item (TKS8) needs to be ordered in addition to the cabinetry.

In keeping with a policy of continuous refinement, HDI Cabinetry reserves the right to alter specifications without general notice or obligation to make similar changes in previously produced product.

DOUBLE DOOR
12" HIGH
WALL CABINETS

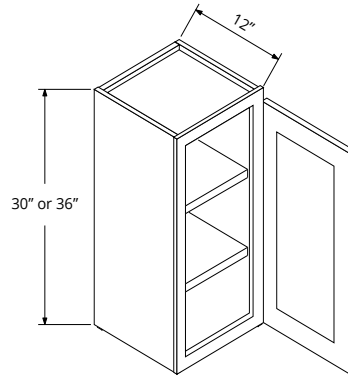


W3012
W3612
W3912

W361224*

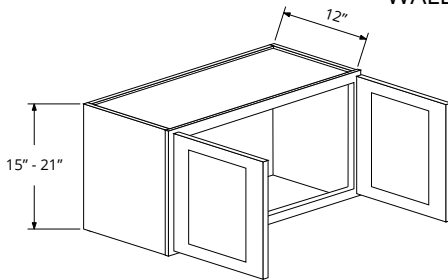
*24" deep

SINGLE DOOR
30" & 36" HIGH
WALL CABINETS



W0930 W0936
W1230 W1236
W1530 W1536
W1830 W1836
W2130 W2136

DOUBLE DOOR
15" & 18" HIGH
WALL CABINETS

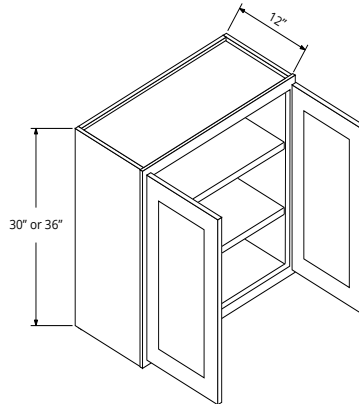


W3015
W3315
W3615
W3018
W3618

W361824*

*24" deep

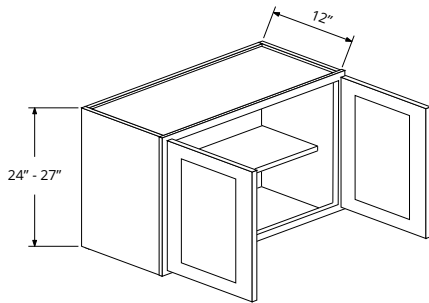
DOUBLE DOOR
30" & 36" HIGH
WALL CABINETS



W2430 W2436
W2730 W2736
W3030 W3036
W3330 W3336
W3630 W3636
W4230* W3936
 W4236*

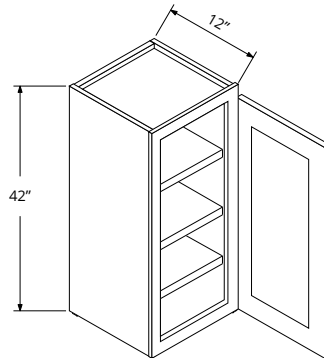
*Has center stile

DOUBLE DOOR
21" - 27" HIGH
WALL CABINETS



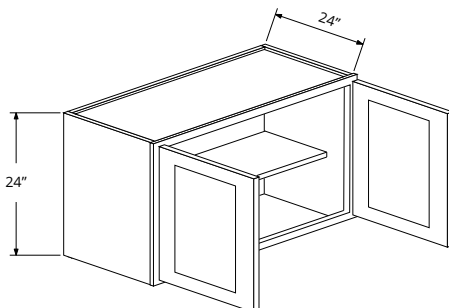
W3021
W3024
W3027
W3624

SINGLE DOOR
42" HIGH
WALL CABINETS



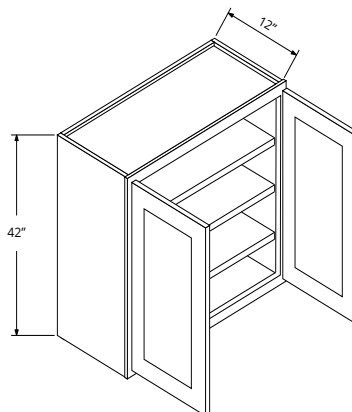
W0942
W1242
W1542
W1842
W2142

DOUBLE DOOR
24" HIGH 24" DEEP
REFRIGERATOR CABINET



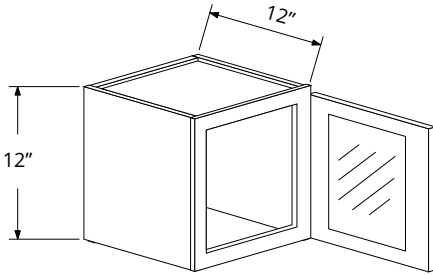
W362424

DOUBLE DOOR
42" HIGH
WALL CABINETS



W2442
W2742
W3042
W3342
W3642

SINGLE DOOR
12" HIGH, GLASS DOOR
STACKER CABINET

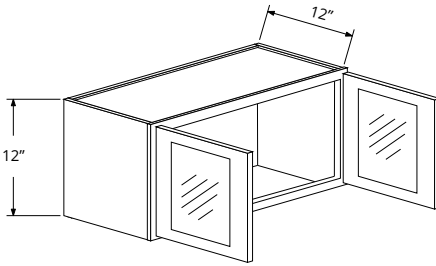


W1212GD
W1512GD
W1812GD
W2112GD

*Features door color matched finished interior and exterior. Glass doors.

**Available in Desoto door styles only.

DOUBLE DOOR
12" HIGH, GLASS DOOR
STACKER CABINET

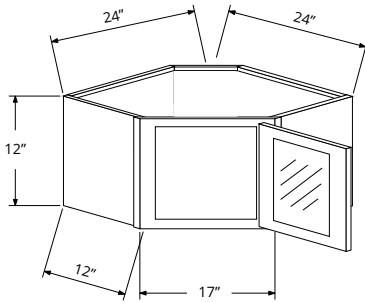


W2412GD
W3012GD
W3312GD
W3612GD

*Features door color matched finished interior and exterior. Glass doors.

**Available in Desoto door styles only.

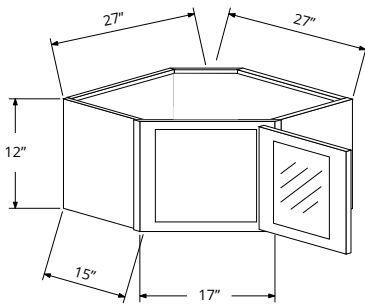
CORNER
12" HIGH, GLASS DOOR
STACKER CABINET



CW2412GD

*Features door color matched finished interior and exterior. Glass doors.

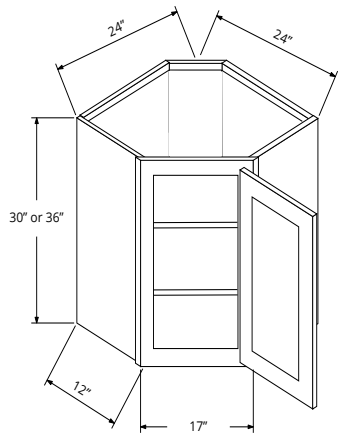
**Available in Desoto door styles only.



CW2712GD

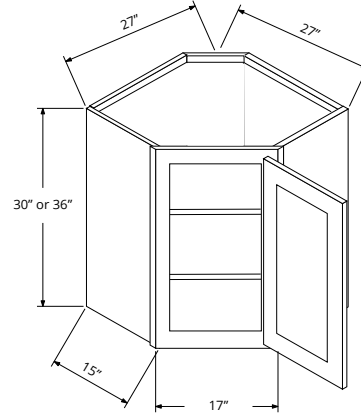
*Features door color matched finished interior and exterior. Glass doors.

**Available in Desoto door styles only.



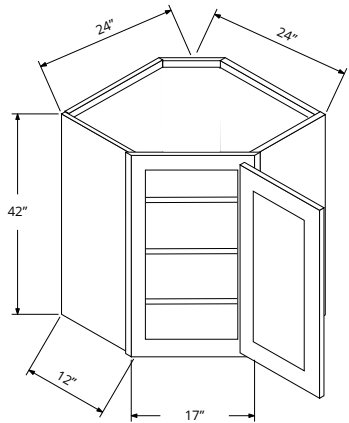
CORNER
30" & 36" HIGH
WALL CABINETS

CW2430
CW2436



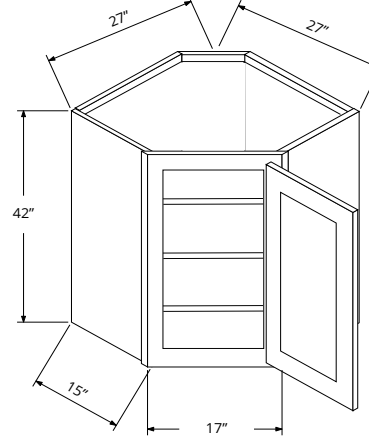
CORNER 15" DEEP
36" HIGH
WALL CABINETS

CW2736



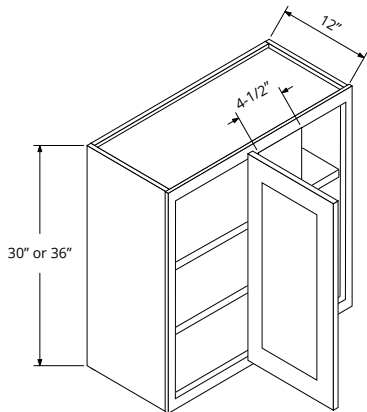
CORNER
42" HIGH
WALL CABINETS

CW2442



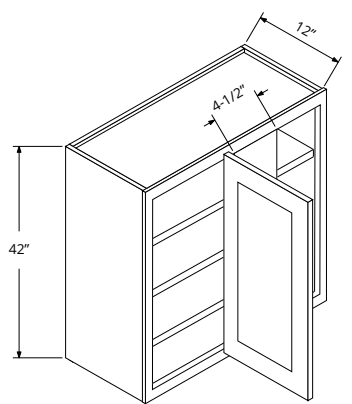
CORNER 15" DEEP
42" HIGH
WALL CABINETS

CW2742



SINGLE DOOR
30" & 36" HIGH
BLIND WALL CABINETS

BLINDW2430
BLINDW3030
BLINDW3630
BLINDW2436
BLINDW3036
BLINDW3636

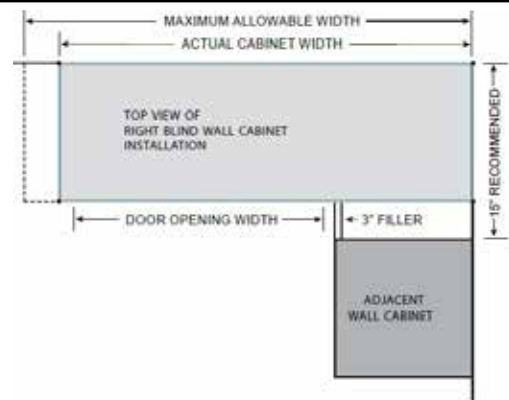


SINGLE DOOR
42" WIDE
BLIND WALL CABINETS

BLINDW3042
BLINDW3642

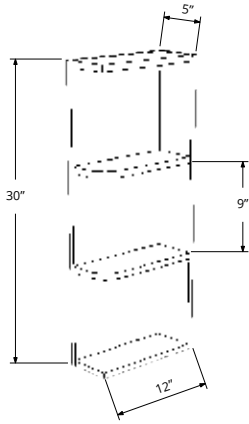
BLIND WALL CABINET INSTALLATION RECOMMENDATIONS

SKU	ACTUAL CABINET WIDTH	MIN/MAX RECOMMENDED DIMENSIONS FOR INSTALLATION	WIDTH OF DOOR OPENING
BLINDW24XX	24"	24" - 26-1/2"	9"
BLINDW30XX	30"	30" - 32 1/2"	15"
BLINDW36XX	36"	36" - 38 1/2"	20 3/4"



*NOTE: MEASUREMENTS BASED ON DESIGN USING A 4 1/2" STILE IN FACE FRAME.

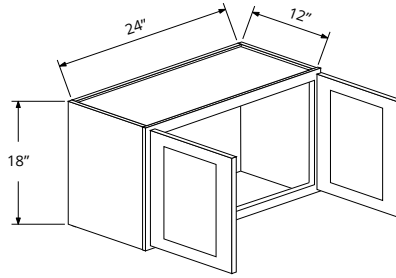
ORDER FILLER SEPARATELY.



12" DEEP
30" HIGH
1/4 ROUND SHELVES

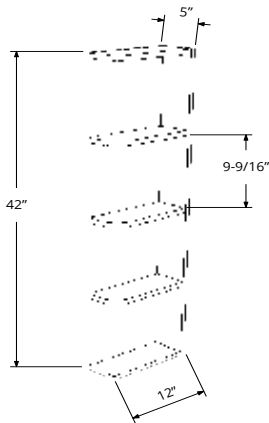
WQR630

DOUBLE DOOR
APPLIANCE GARAGE



AGD2418

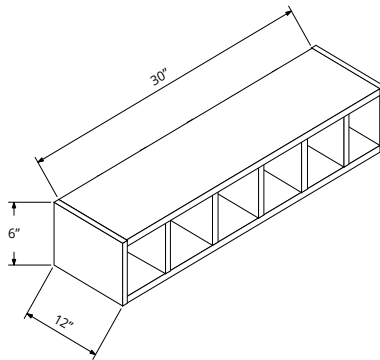
NOTE: Full frame cabinet, can be used as W2418.



12" DEEP
42" HIGH
1/4 ROUND SHELVES

WQR642

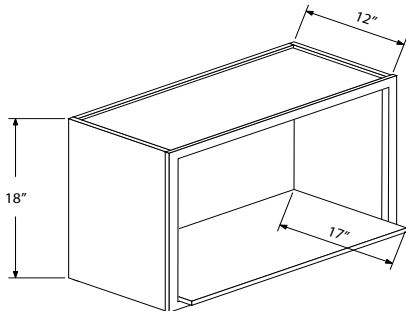
12" DEEP
WINE CUBBIES



WCU30

*NOTE: Can be installed vertically or horizontally.

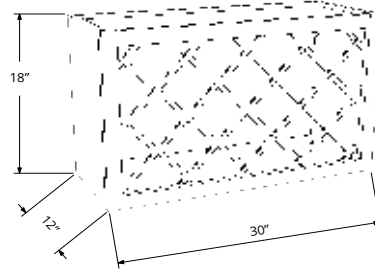
Made of 3/4" veneer plywood with interiors finished to match & front edge banded.



12" DEEP
18" HIGH
MICROWAVE CABINET

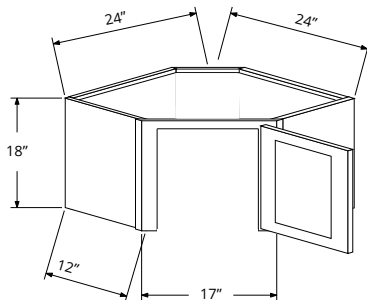
MWS301812

12" DEEP
18" HIGH
WINE RACK



WR3018

*NOTE: Holds 11-13 full sized bottles

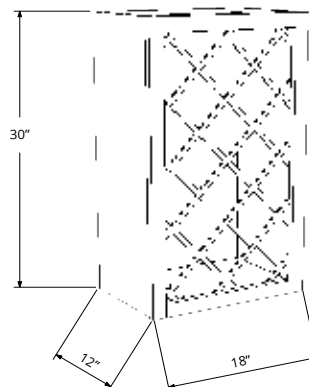


DIAGONAL
APPLIANCE GARAGE

ADAG

NOTE: Single door hinged to side stile.

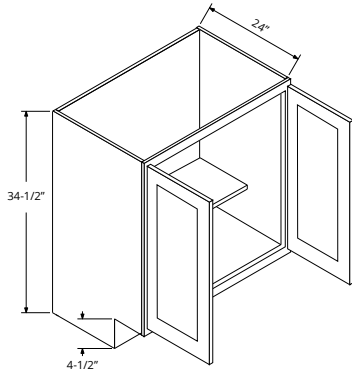
NOTE: No bottom panel, no under rail.



12" DEEP
30" HIGH
WINE RACK

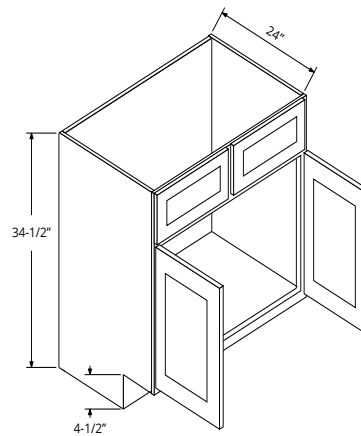
WR1830

*NOTE: Holds 11-13 full sized bottles



SINGLE & DOUBLE FULL HEIGHT DOOR BASE CABINETS

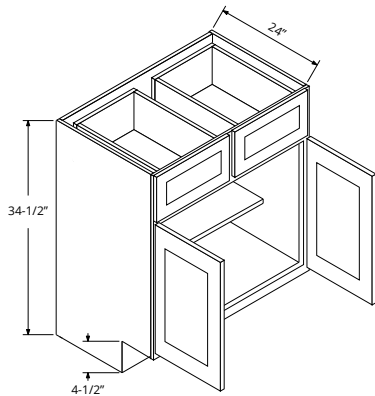
Single Door	Double Door
B09FHD	B24FHD
B18FHD	B30FHD
B21FHD	B36FHD



DOUBLE DOOR SINK BASE (SB)

SB30
SB33
SB36
SB42*

*Has center stile

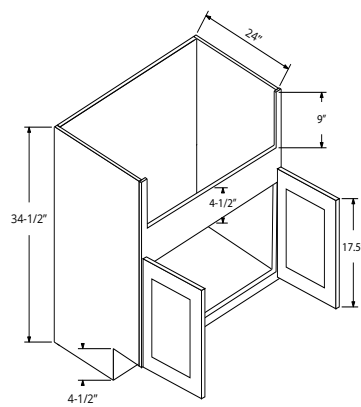


SINGLE & DOUBLE DOOR & DRAWER BASE CABINETS

Single Door	Double Door
B12	B24**
B15	B27**
B18	B30
B21	B33
	B36
	B42*

*Has center stile
**Single drawer head

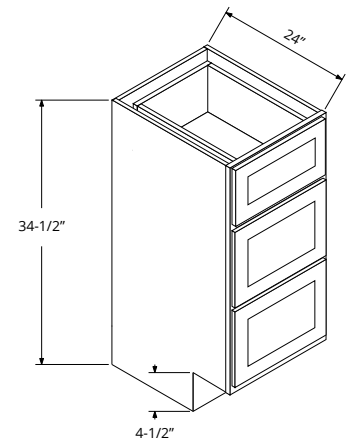
Double door/drawer shown



DOUBLE DOOR FARM SINK BASE (FSB)

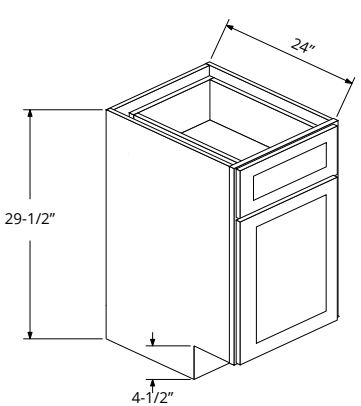
FSB30
FSB33
FSB36
FSB42*

*Has center stile



THREE DRAWER BASE CABINETS

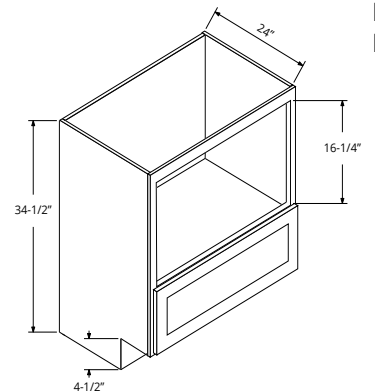
DB12
DB15
DB18
DB21
DB24
DB30
DB36
*Top drawer height 6-1/2"
Bottom drawers height 10-1/2"



FILE DRAWER

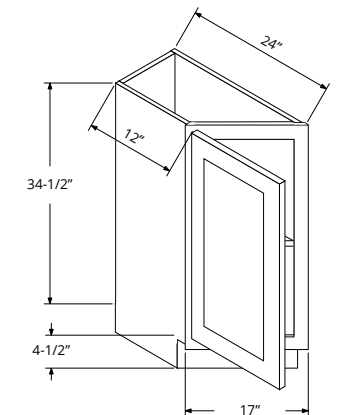
DDB18

Bottom drawer head 16-1/2" high



MICROWAVE BASE CABINET

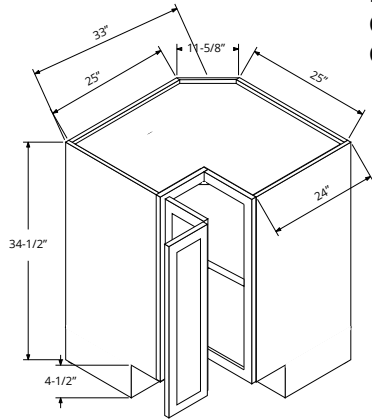
BM30
27" Wide opening
Drawer head height 11"



SINGLE ANGLED FULL HEIGHT DOOR BASE CABINETS

TAB12FHDL
TAB12FHDR

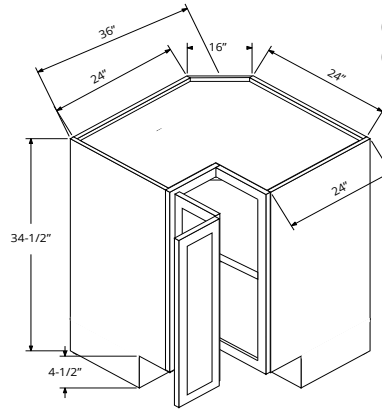
*Left shown



EASY REACH
CORNER BASE
CABINET 33"

ER33

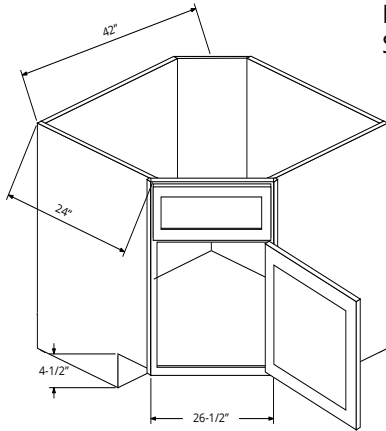
NOTE: Double hinged doors.
NOTE: Order lazy susan kit separately.



EASY REACH
CORNER BASE
CABINET 36"

ER36

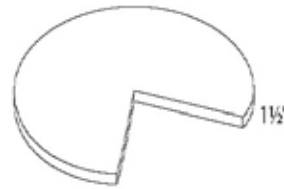
NOTE: Double hinged doors.
NOTE: Order lazy susan kit separately.



DIAGONAL
SINK BASE CABINET

DSB42

1 false drawer front
and 1 door

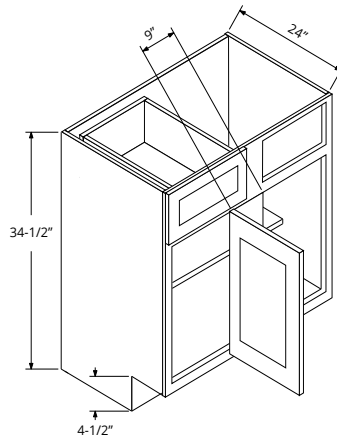


WOOD
LAZY SUSAN KIT

LSK

2/PKG.

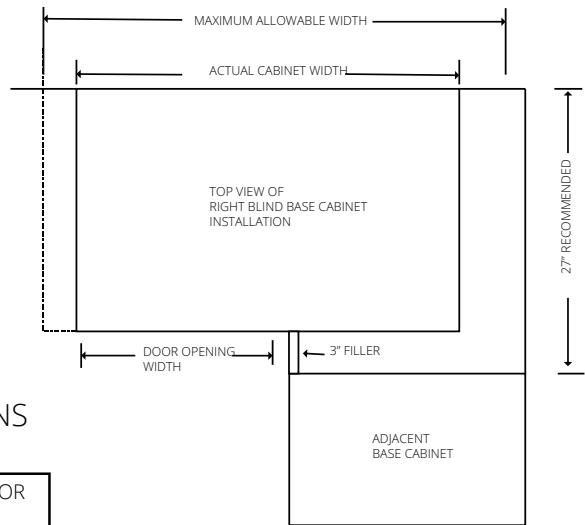
NOTE: Must be installed during the assembly of the ER



SINGLE
DOOR & DRAWER
BLIND BASE CABINETS

BLINDB36FHD*
BLINDB42
BLINDB48

*Full height door cabinet



BLIND BASE CABINET INSTALLATION RECOMMENDATIONS

SKU	ACTUAL CABINET WIDTH	MIN/MAX RECOMMENDED DIMENSIONS FOR INSTALLATION	WIDTH OF DOOR OPENING
BLINDB36FHD	30"	39" - 43"	9"
BLINDB42	36"	42" - 46"	12"
BLINDB48	48"	48" - 52"	18"

*NOTE: MINIMUM PULL RECOMMENDATION INCLUDES 3" STILE REVEAL TO CORNER. CENTER STILE IS 9"

ORDER FILLER SEPARATELY.

Specs subject to change without notice.

HDI Cabinetry • 3751 62 Ave N • Pinellas Park, FL 33781 • ph: 727-539-1517 • fx: 727-539-1531
customerservice@hdcabinetry.com • www.hdcabinetry.com

21" DEEP
1 DOOR & DRAWER
VANITY BASE CABINETS

VB12
VB15
VB18

34-1/2"
21"
4-1/2"

21" DEEP
2 DRAWER & DOOR
VANITY SINK CABINETS

VSB36
VSB42*
VSB48*

34-1/2"
21"
4-1/2"

*Has center stile

21" DEEP
2 DOOR (Full height available)
VANITY SINK CABINETS

Door/Drawer

V24**
V27**
V30
V33
V36
V42*

34-1/2"
21"
4-1/2"

*Has center stile
**Single false drawer head

21" DEEP
2 DRAWER & 4 DOOR
SINK BASE CABINET

VSB60

34-1/2"
21"
4-1/2"
15"
36"

21" DEEP
3 DRAWER
VANITY BASE CABINETS

VDB12
VDB15
VDB18
VDB21
VDB24

34-1/2"
21"
4-1/2"

*Top drawer height
6-1/2"
Bottom drawers
height 10-1/2"

21" DEEP
4 DRAWER & 2 DOOR
DOUBLE SINK CABINET

VDB60

34-1/2"
21"
4-1/2"
9"
21"

21" DEEP
2 DRAWER & 1 DOOR
VANITY SINK CABINETS

VSDL30
VSDL36
VSDR30
VSDR36

34-1/2"
21"
4-1/2"

*Left shown

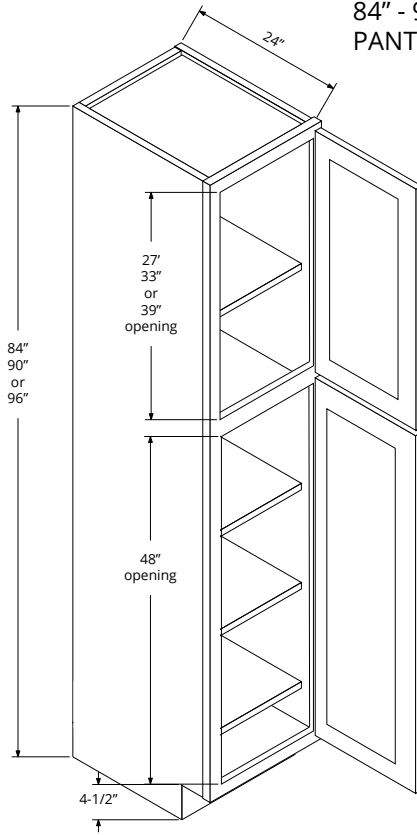
VANITY
LAP DRAWER

KD30
KD36

24" or 30"
21"
4-3/4"
30" or 36"

NOTE: Drawer head is slab with edge profile. Trimmable 3" stile each side of drawer (each KD trimmable up to 6").

SINGLE DOOR
84" - 96" HIGH 18" WIDE
PANTRY CABINETS



P1884
P1890
P1896

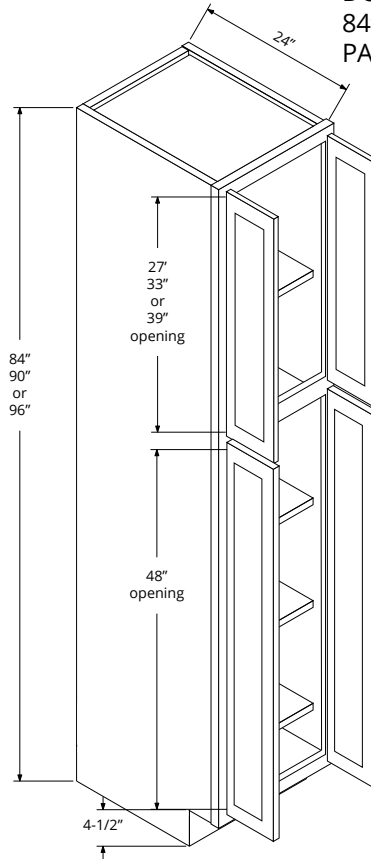
Single door on top and bottom.

84" and 90" cabinets have 4 adjustable shelves and 1 fixed shelf.

96" cabinets have 5 adjustable shelves and 1 fixed shelf.

*Upper section doors match the heights of 30", 36", and 42" high wall cabinet doors, respectively.

DOUBLE DOOR
84" - 96" HIGH 24" WIDE
PANTRY CABINETS



P2484
P2490
P2496

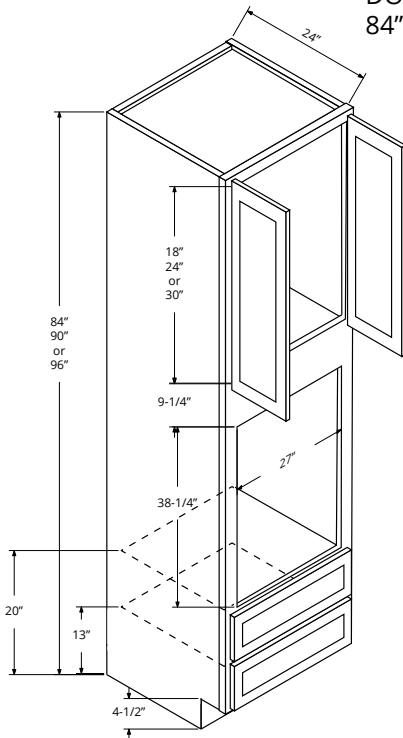
Butt doors on top and bottom.

84" and 90" cabinets have 4 adjustable shelves and 1 fixed shelf.

96" cabinets have 5 adjustable shelves and 1 fixed shelf.

*Upper section doors match the heights of 30", 36", and 42" high wall cabinet doors, respectively.

DOUBLE OVEN
DOUBLE DRAWER
84" - 96" CABINETS



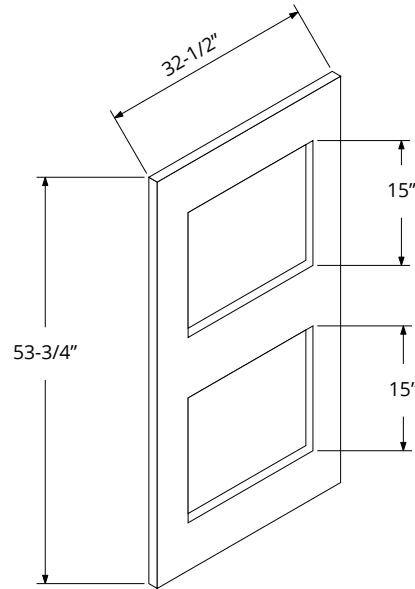
OC3384-2
OC3390-2
OC3396-2

*Opening can be modified up to 52-1/4" H

**Features open back at opening

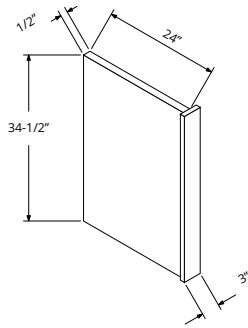
***Overlay panel sold separately

OVEN CABINET
OVERLAY PANEL



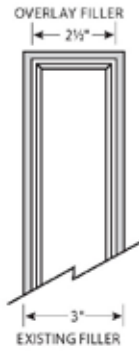
OL-OC

*Sold separately



**DISHWASHER
BASE END PANEL**

**DWR3 (REVERS-
IBLE)**

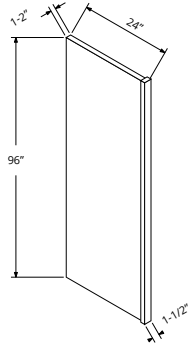


OVERLAY FILLER

OLF3XX

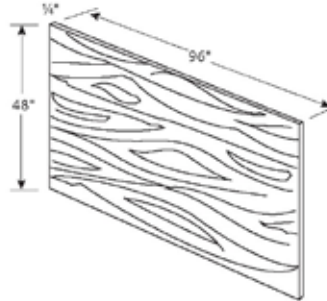
*NOTE: Available in various heights. See online store for sizes. Sub filler (F396) sold separately.

*Painted finishes feature MDF filler for improved finish quality.



**REFRIGERATOR
END PANEL**

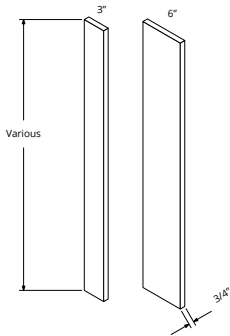
REP (REVERSIBLE)



**LONG GRAIN PANEL
96" x 48" x 1/4"**

BP4896LG

*Painted finishes feature MDF panel. Stained finishes feature plywood panel. No grain direction on painted finishes.

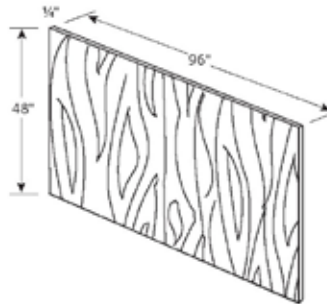


**3" & 6" FILLER (various heights)
3/4" x 3" or 6" x XX"**

3" Filler 6" Filler

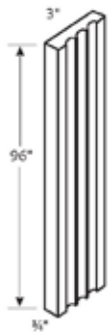
F330	F630
F336	F636
F342	F642
F396	F696

*Painted finishes feature MDF filler for improved finish quality.



**SHORT GRAIN PANEL
48" x 96" x 1/4"**

BP9648SG

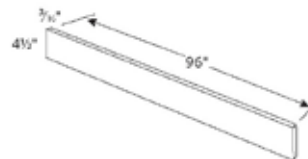


**FLUTED FILLER
3/4" x 3" x 96"**

F396FLUTE

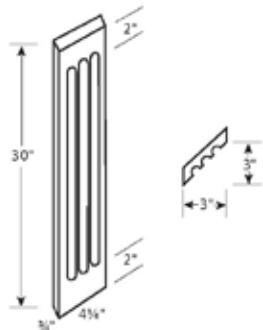
NOTE: Flutes run the length of the filler. Available in select door styles.

*Painted finishes feature MDF filler for improved finish quality.



**TOE KICK COVER
3/16" x 4-1/2" x 96"**

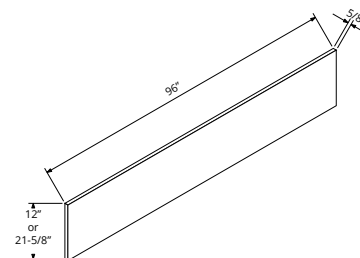
TKS8



**ANGLED FLUTED FILLER
3/4" x 4-1/4" x 30"**

AFF330

NOTE: Three flutes run the length of the filler beginning 2" in from either end. Available in select door styles.

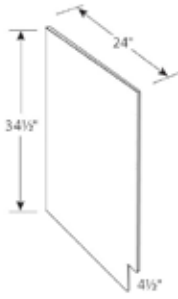


SHELF MATERIAL

**3/4" x 12" x 96"
SHELF12X96**

**3/4" x 21-5/8" x 96"
SHELF24X96**

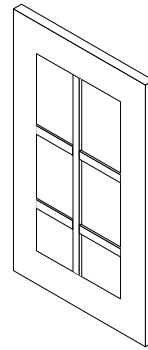
*12" shelf available in natural and finished to match door color finishes. 24" shelf available in natural finish only.



**BASE FINISHED
SIDE PANEL
REVERSIBLE**

B34.5FINSIDE

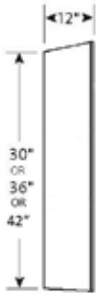
NOTE: 1/4" thick. Use on exposed ends of door styles with unfinished side panels.



MULLION DOORS

MDXXXX

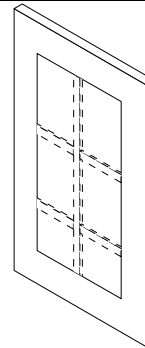
*NOTE: Available in select door styles.



**WALL FINISHED
SIDE PANEL
REVERSIBLE**

**W30FINSIDE
W36FINSIDE
W42FINSIDE**

NOTE: 1/4" thick. Use on exposed ends of door styles with unfinished side panels.

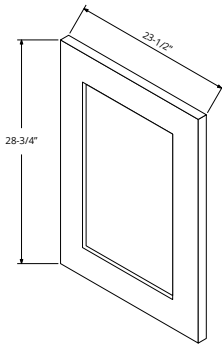


GLASS DOORS

GDXXXX

*NOTE: Available in Shaker style doors only.

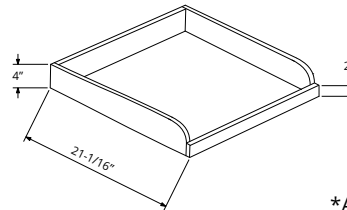
*Includes optional, removable mullion insert.



**DECORATIVE
BASE END PANEL
DOORS**

EP2430 23.5" x 28.75"

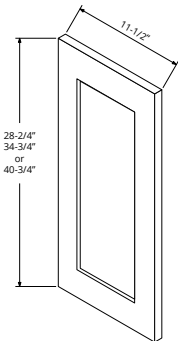
NOTE: EP's match door profile and reveals.



ROLL OUT TRAY

**ROT15 ROT30
ROT18 ROT33
ROT21 ROT36
ROT24
ROT27**

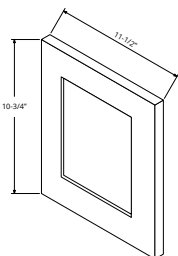
*All wood 2 point dovetail drawers with radiused front edge. Soft closing glides.



**DECORATIVE
WALL END PANEL
DOORS**

**EP1230 11.5" x 28.75"
EP1236 11.5" x 34.75"
EP1242 11.5" x 40.75"**

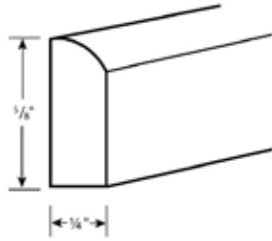
NOTE: EP's match door profile and reveals.



**DECORATIVE
STACKER END PANEL
DOORS**

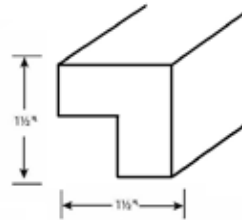
EP1212 11.5" x 10.75"

NOTE: EP's match door profile and reveals. Available in Desoto door styles only.



5/8" SCRIBE
MOULDING

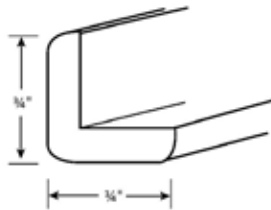
SMB



MODERN
LIGHT RAIL
MOULDING

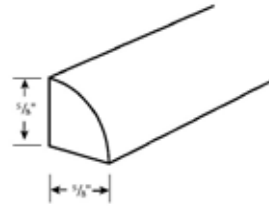
SLRM8

NOTE: Available in select door styles.



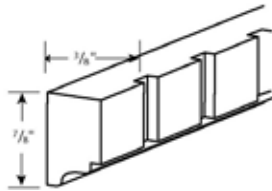
OUTSIDE CORNER
MOULDING

OCM8



SHOE
MOULDING

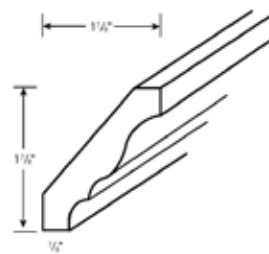
SHOE



DENTIL
MOULDING

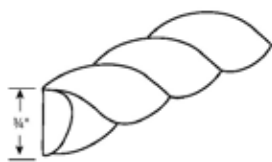
DMTIS

NOTE: Fits into the insert of RCM4S (sold separately)
Available in select door styles.



2-3/4" CROWN
MOULDING

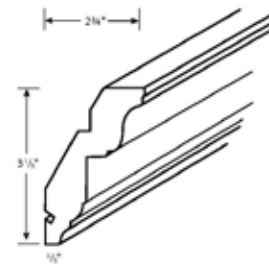
CM8



ROPE
MOULDING

RPIS

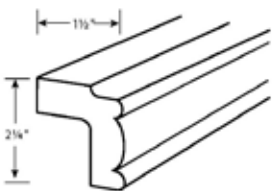
NOTE: Fits into the insert of RCM4S (sold separately)
Available in select door styles.



ROYAL CROWN
MOULDING

RCM4S

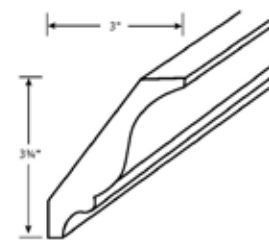
NOTE: For use with DMTIS or RPIS (sold separately).



TRADITIONAL
LIGHT RAIL
MOULDING

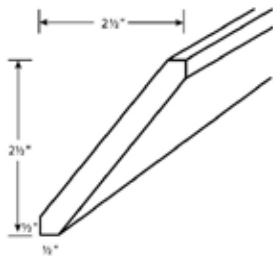
LRM8

NOTE: Available in select door styles.



LARGE CROWN
MOULDING

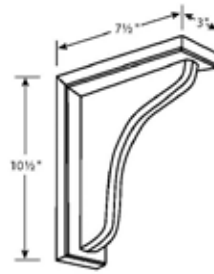
BCM8



SHAKER CROWN
MOULDING

SHAKERCROWN

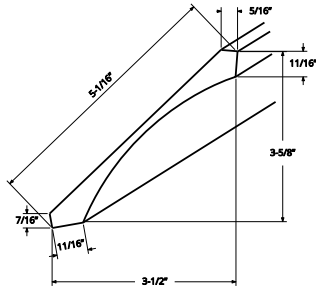
NOTE: Available only in
Desoto line.



PLAIN CORBEL

PLCOR10.5

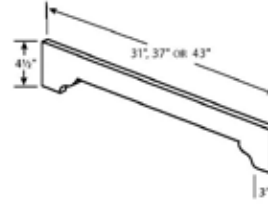
NOTE: Unglazed.



COVE CROWN
MOULDING

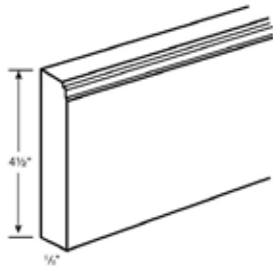
COV

NOTE: Available only in
Desoto line.



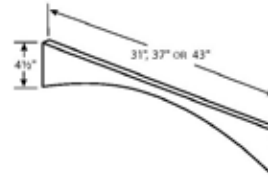
BECKONY VALANCE

V31D
V37D
V43D



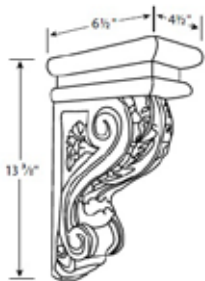
BASE
MOULDING

BASE



ARCHED VALANCE

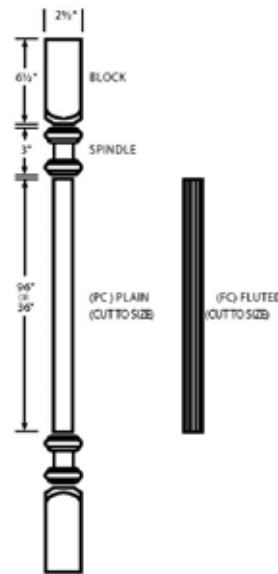
V31E
V37E
V43E



LARGE CORBEL

LCOR14

NOTE: Unglazed



COLUMN PILASTERS
INDIVIDUAL PARTS

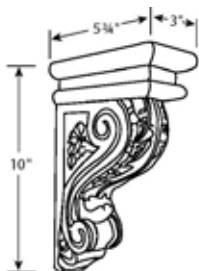
BLOCK

SPINDLE

PC96 (PLAIN)

FC96 (FLUTED)

NOTE: Pilasters are round
and must be cut for
applique applications.
Diameter of pilaster is
1-1/2". Block, spindle and
columns are not glazed.



MEDIUM CORBEL

MCOR10

NOTE: Unglazed